

SILICONE HANDLES

Silicone grip handles
for surgical instruments made in Japan

The 6
shapes
variations.

The 4
color
variations

Alkali cleaning
can be
performed

ISO13485
certified
factory

Executed
biocompatibility
testing



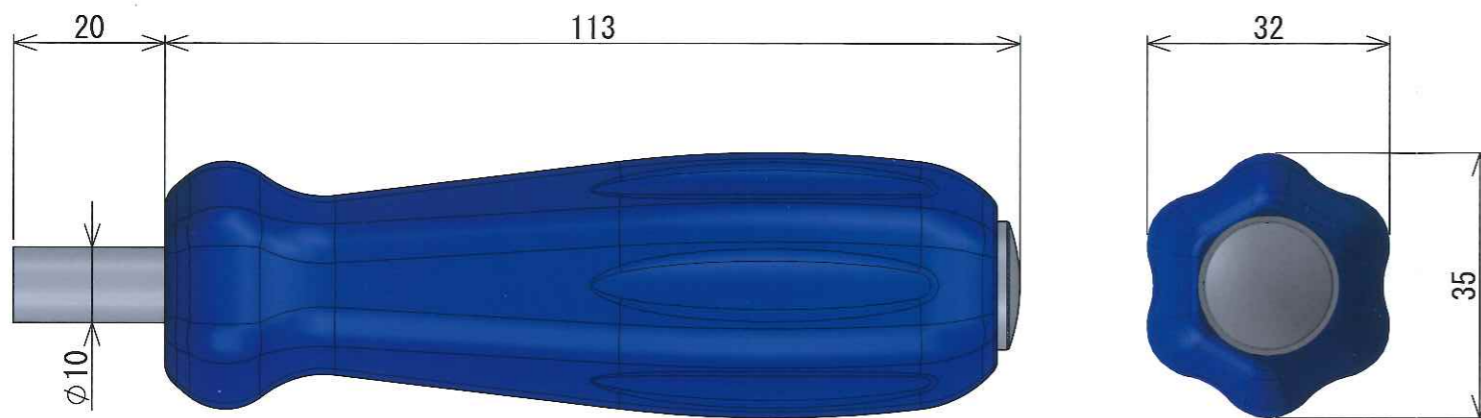
◆ The grip shape

You can select one of 6 shapes depending on your purpose.

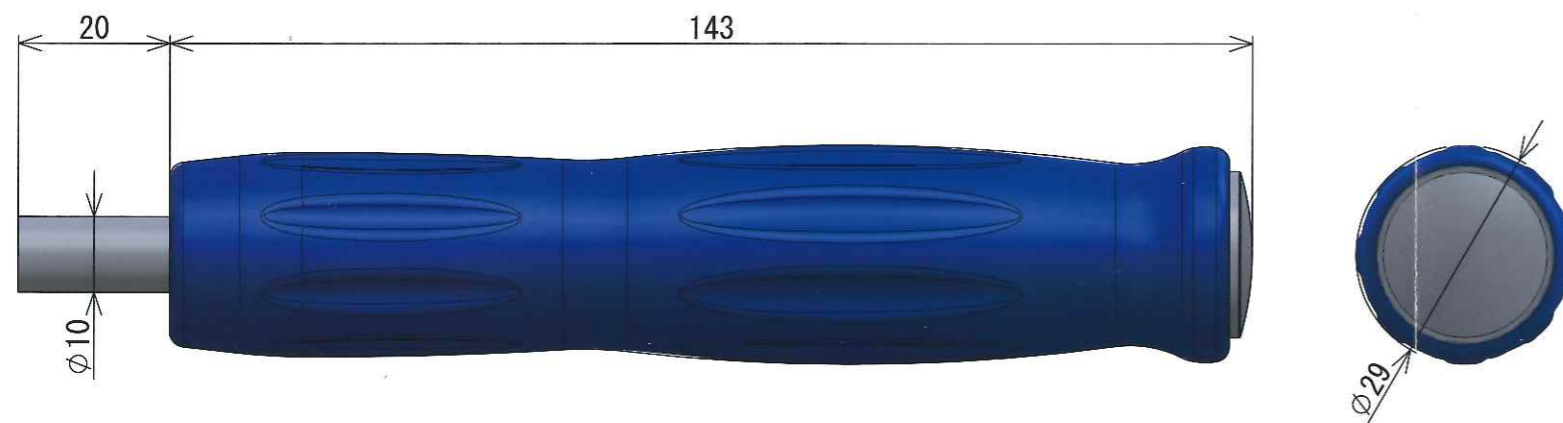
(the material metal parts:stainless steel grip parts:silicone rubber)

※For attachments such as hollow type handles and chucks, please contact our sales staff.

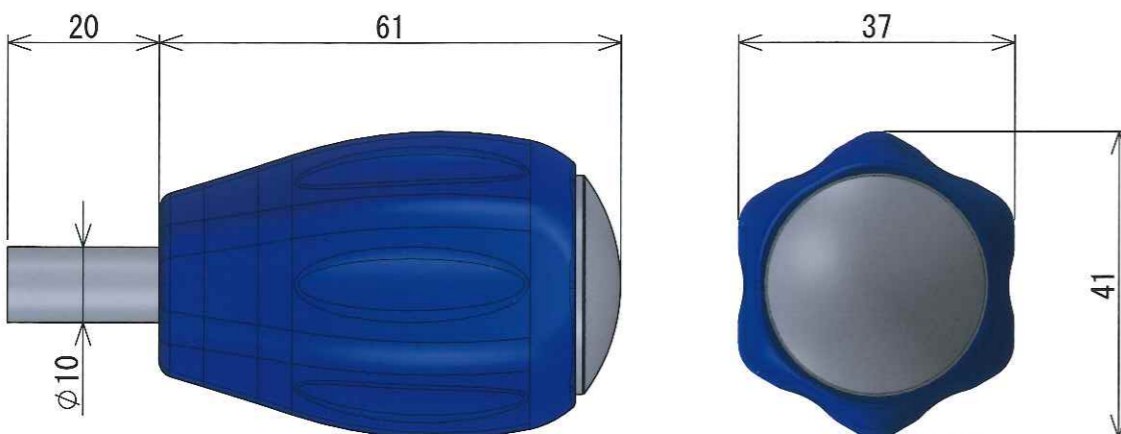
I-type standard SGH-IS



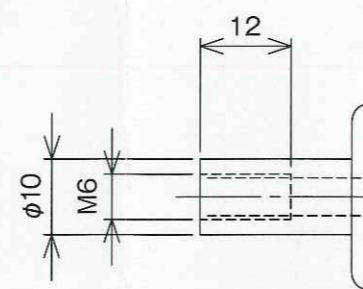
I-type large SGH-IL



Palm type SGH-PM

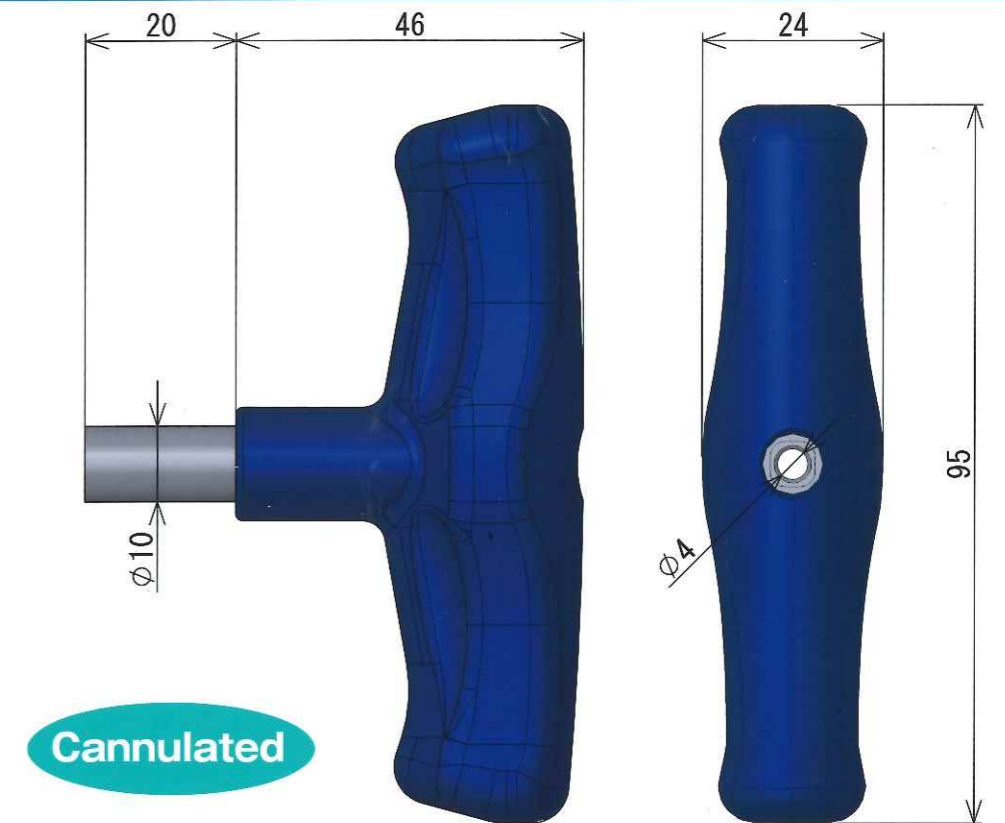


■ The size of the joint

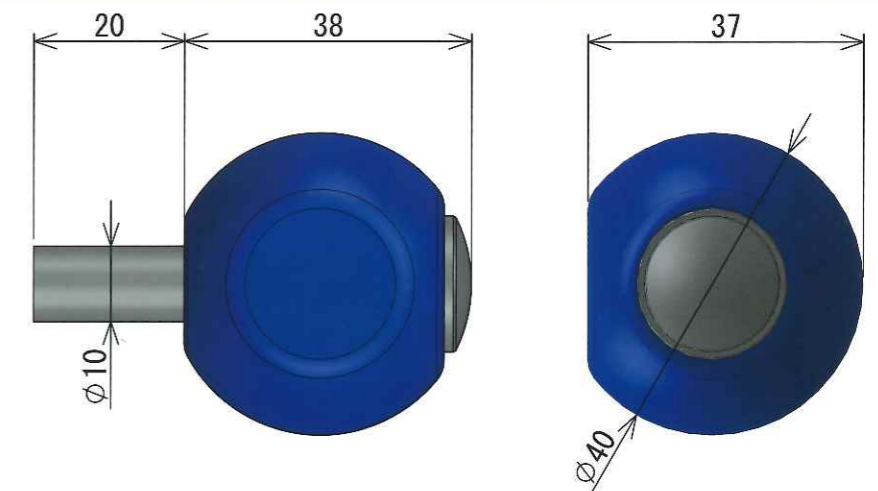


※The joint is also applicable to a 6mm hole.

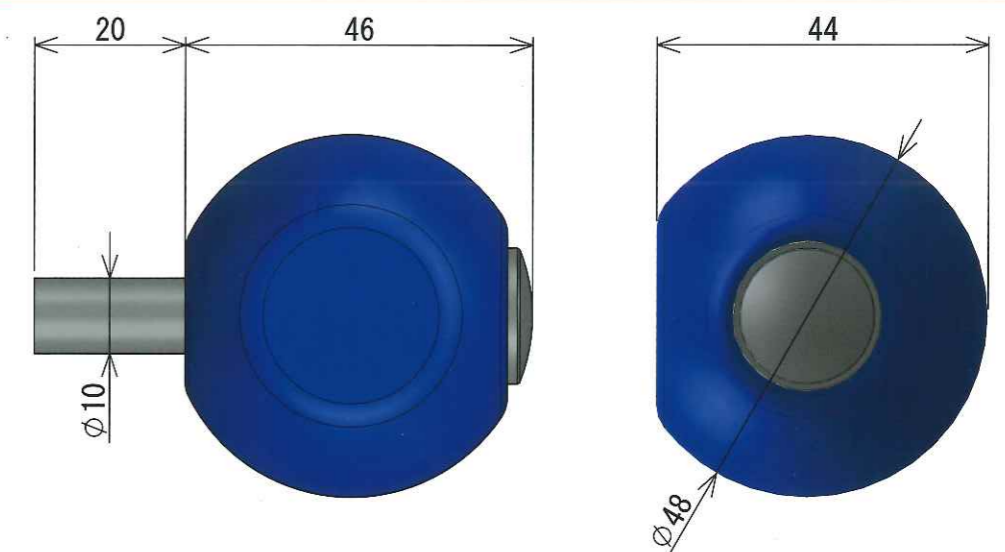
T-type SGH-TS



Ball type (φ40) SGH-S40



Ball type (φ48) SGH-S48



◆ The color variations

■ Inventory goods

Blue

BL

Black

BK

■ Made-to-order products

Green

GN

Orange

OR

◆ The biocompatibility testing

We conduct ①Cytotoxicity-Elution test ②Delayed Hypersensitivity test ③Intracutaneous Reactivity test of ISO10993-1 Certificate, the international standards. Our silicone grip handles meet these requirements.

◆ The order number

SGH — ○○ — □□
 the shape the color

e.g. I-type standard / Blue

SGH — IS — BL

the shape	the item number
I-type standard	IS
I-type large	IL
Palm type	PM
T-type	TS
Ball type(φ40)	S40
Ball type(φ48)	S48

the color	the item number
Blue	BL
Black	BK
Green	GN
Orange	OR

◆ Made-to-order surgical instruments

We offer the production and design of various surgical instruments as you requested such as connectors (e.g.AO, 1/4sq.) and pedicle probe. Please feel free to ask our sales staff.



※Specifications, color and design of the products are subject to change without notice for the sake of improvement.

FUJI FLEX Co., Ltd.

<http://www.fuji-flex.co.jp>

【 Tokyo Office and Showroom 】

Florence Palace Ochanomizu Fianco 102, 3-22-2 Hongo,
 Bunkyo-ku, Tokyo, 113-0033 Japan
 Sales/TEL. +81-3-5615-8788 FAX. +81-3-5615-8778

【 Head Office 】

1067-25 Kita-taharacho, Ikoma City,
 Nara Prefecture, 630-0142 Japan
 Sales/TEL. +81-743-72-3388 FAX. +81-743-72-3988



ISO13485:2003



ISO14001:2004
 Client Registration
 NO.:2007/394